



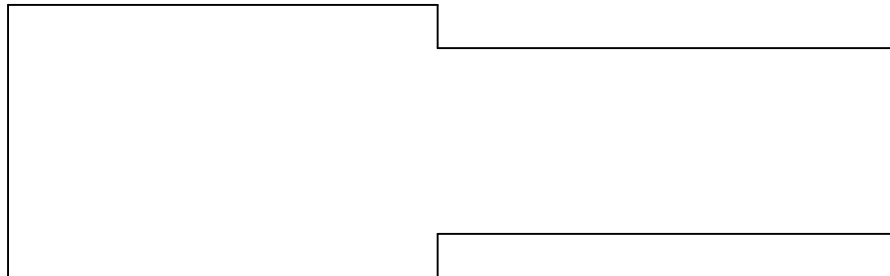
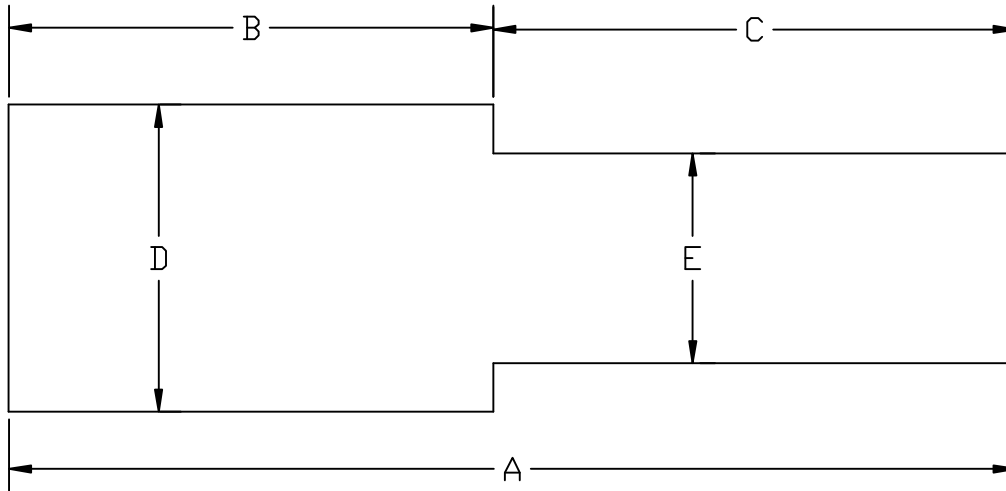
23010 N. 16th Ave  
Bldg 2 - Ste 48  
Phoenix, AZ 85065  
1-800-243-0820

### Custom Product Design Information Angio III

Company

Contact Name

Phone/Email



Please measure your pad/cushion at each lettered position shown in the illustration. Write the measures in the Table of Measures provided below

Table of Measures	
Letter	Measure (Inch or cm)
A	
B	
C	
D	
E	
Thickness	

If your pad/cushion fastens to the table using Hook and Loop fastener (i.e. Velcro®), or other methods, please use the illustration to the left to sketch the locations and the measures of their position.

Please return this completed form to RadScan Medical Equipment, Inc. at:  
 Fax: 623-580-0115  
 Email: [orders@radscanmedical.com](mailto:orders@radscanmedical.com)